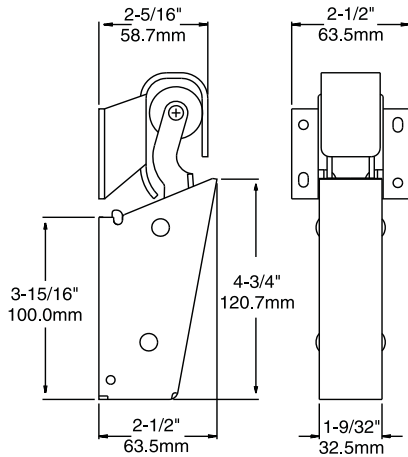




**ITEM # 1095**



**1095**



Patent No. D390,442

**1095 SPRING ACTION DOOR CLOSER**

- Operates by direct force adding to natural swing momentum of closing door.
- Designed to overcome slowing action of gaskets and air pressure.
- Provides fast, full closure for heavy walk-in doors.
- Easy installation; simply snaps onto concealed mounting plate.
- Simple spring mechanism gives long, trouble-free life.
- Patented solid steel housing and bend-resistant hook assure long wear in heavy use.
- Rubber roller ensures quiet operation.
- Ideal complement for Kason Walk-in door hardware to provide self-closing doors.

**SPECIFICATIONS**

**MATERIAL:**  
Steel housing and strike.

**PACKAGING:**  
Closers and hooks packaged separately;  
24 to carton.

**FINISH:**  
Bright chrome.

**WEIGHT:**  
See order information.

**MOUNTING HOLES:**  
Drilled for No. 10  
(5.0mm) screws.

Model No.	Item	Wgt/Carton
1095000013	Closer	30.0 lb (13.6 kg)
1094000025	Hook for 1095, Flush (0.0 mm)	9.5 lb. (4.3 kg)
1094000029	Hook for 1095, 1-1/8" (28.6 mm) Offset	12.3 lb. (5.5 kg)